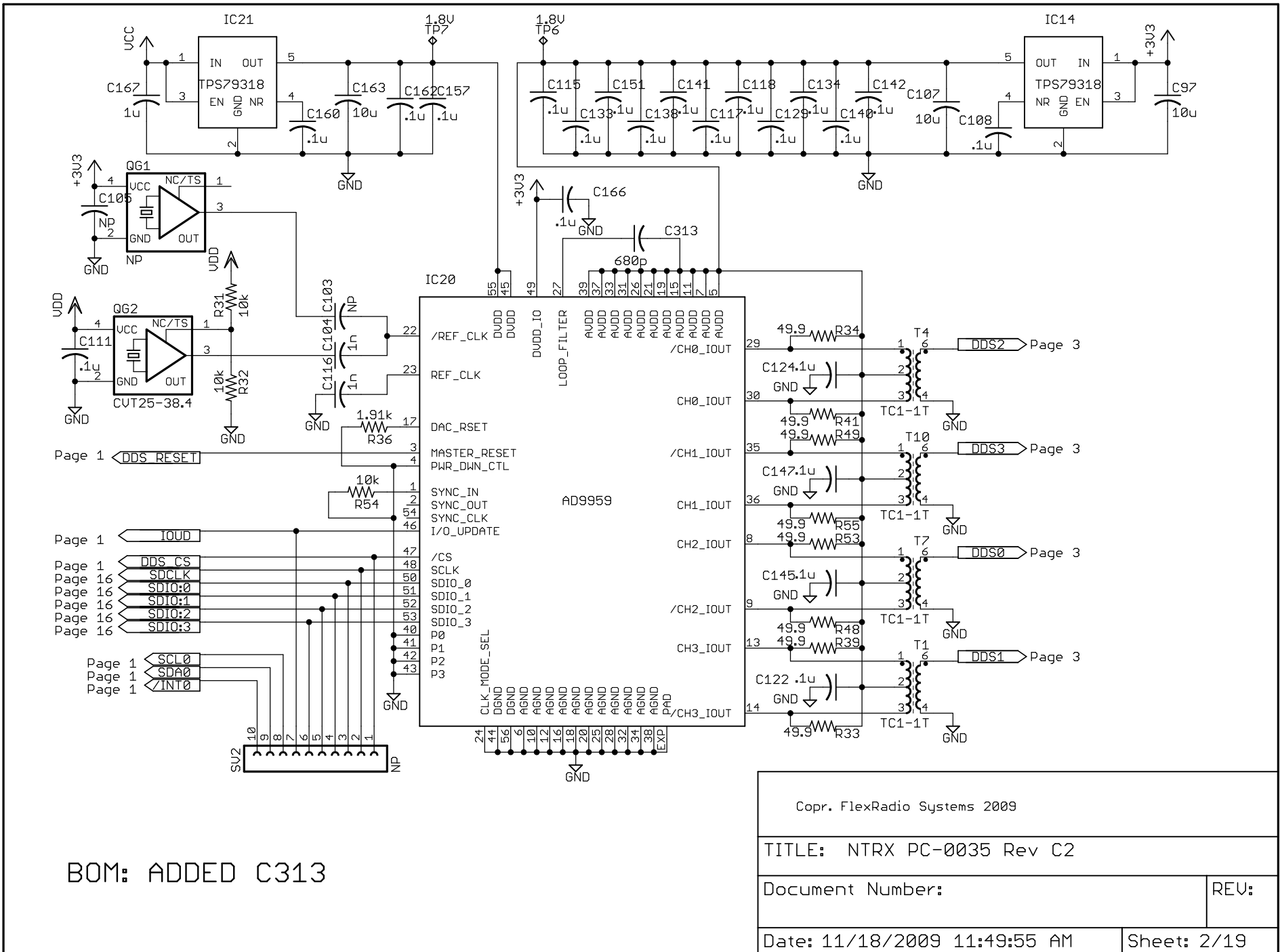
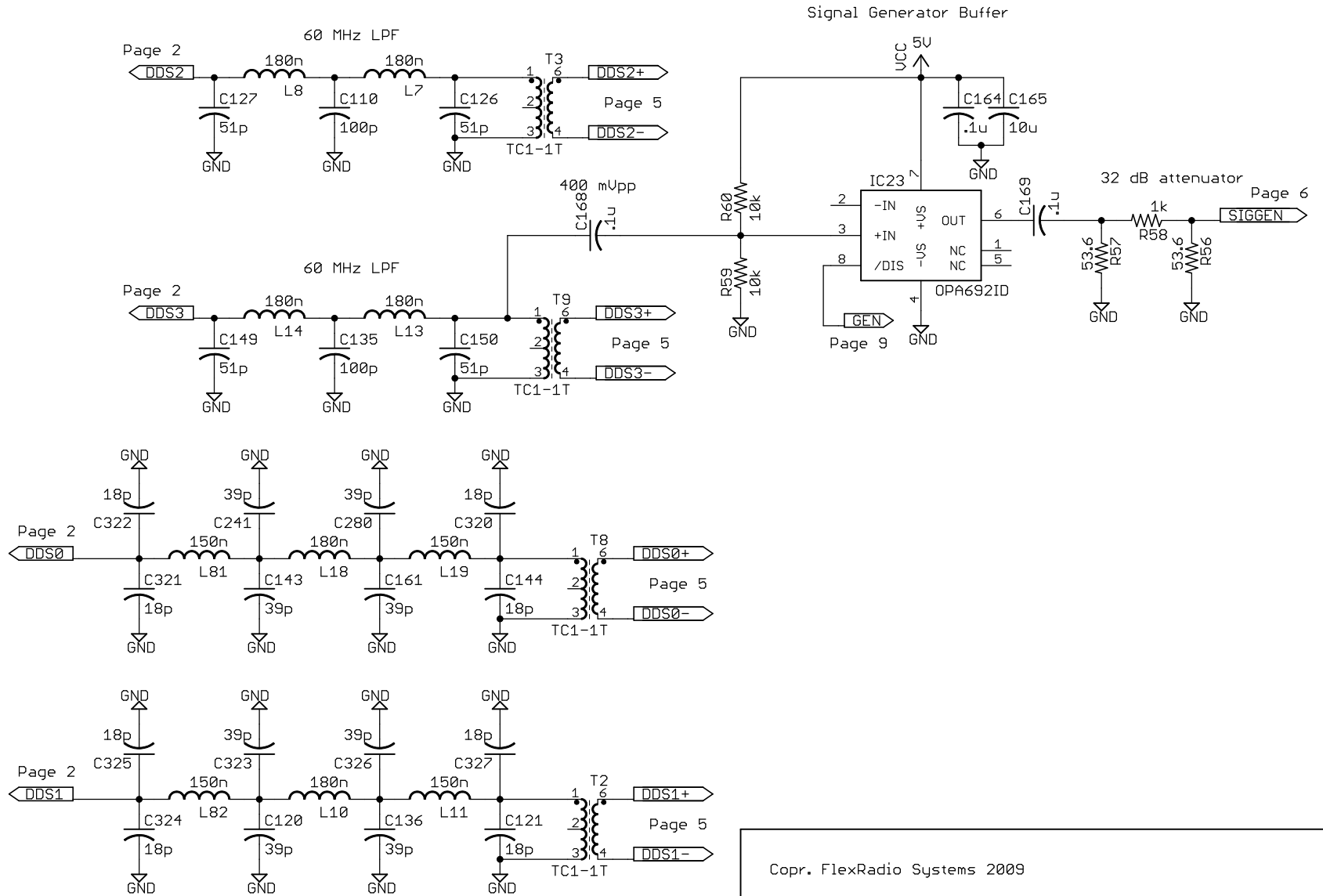
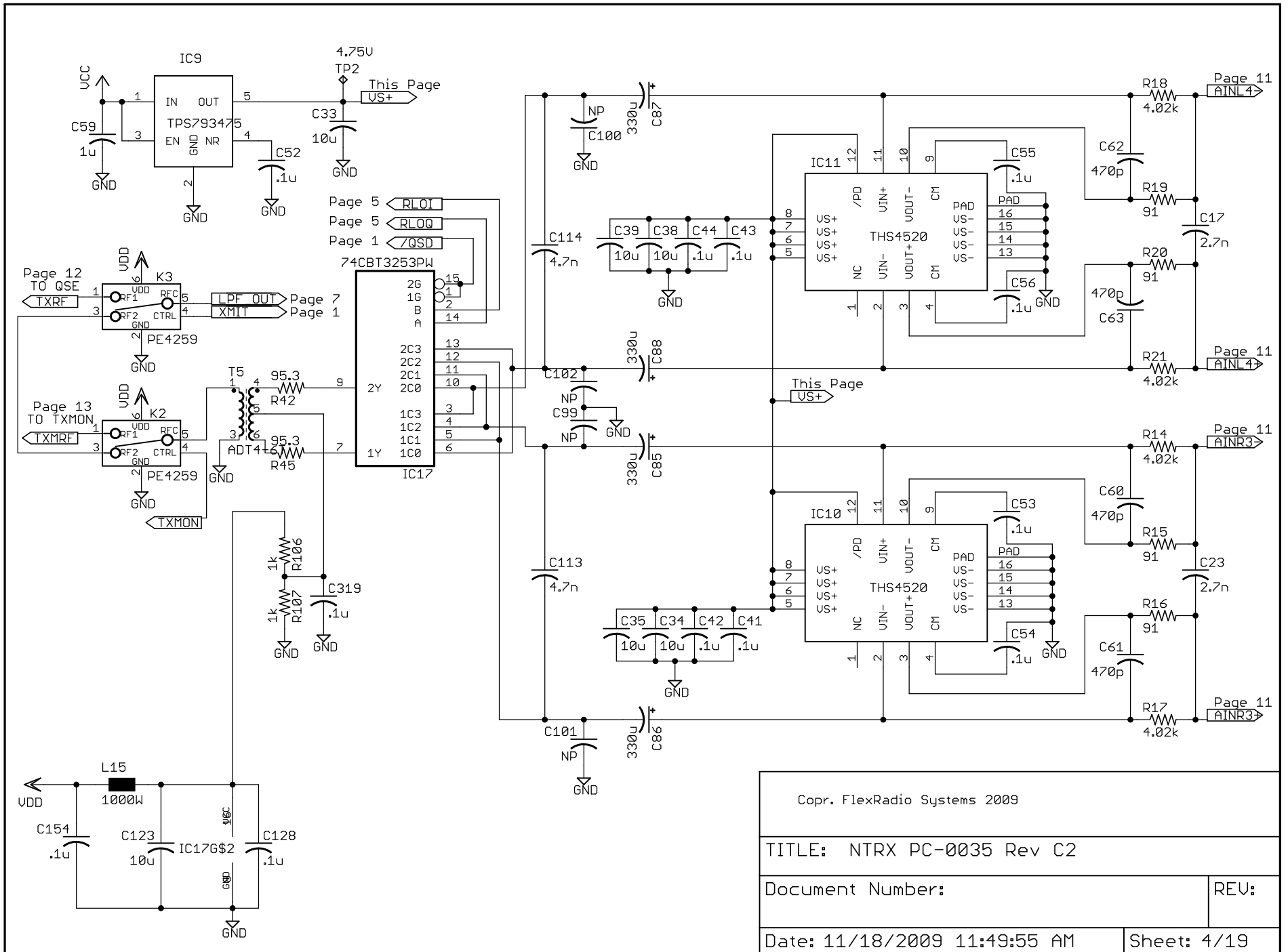


Copr. FlexRadio Systems 2009	
TITLE: NTRX PC-0035 Rev C2	
Document Number:	REV:
Date: 11/18/2009 11:49:55 AM	Sheet: 1/19

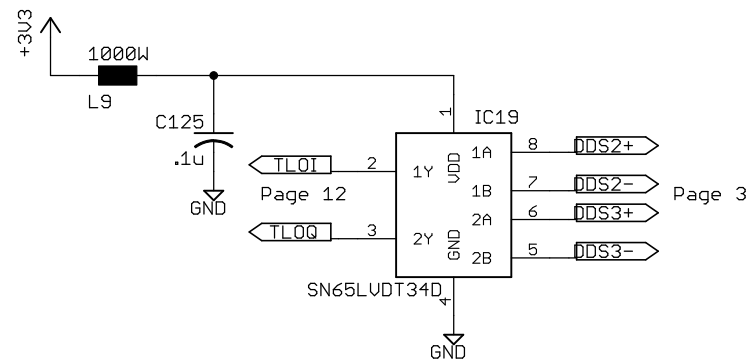
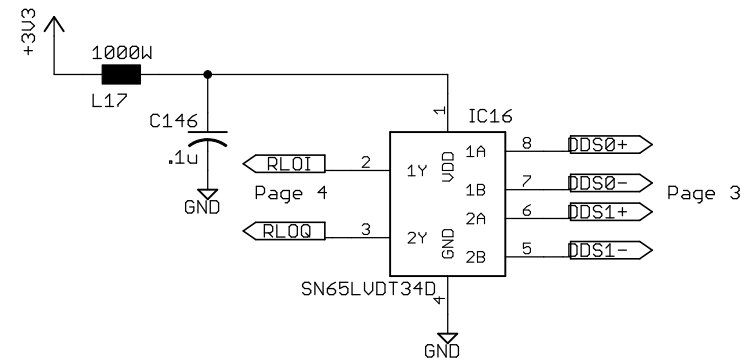




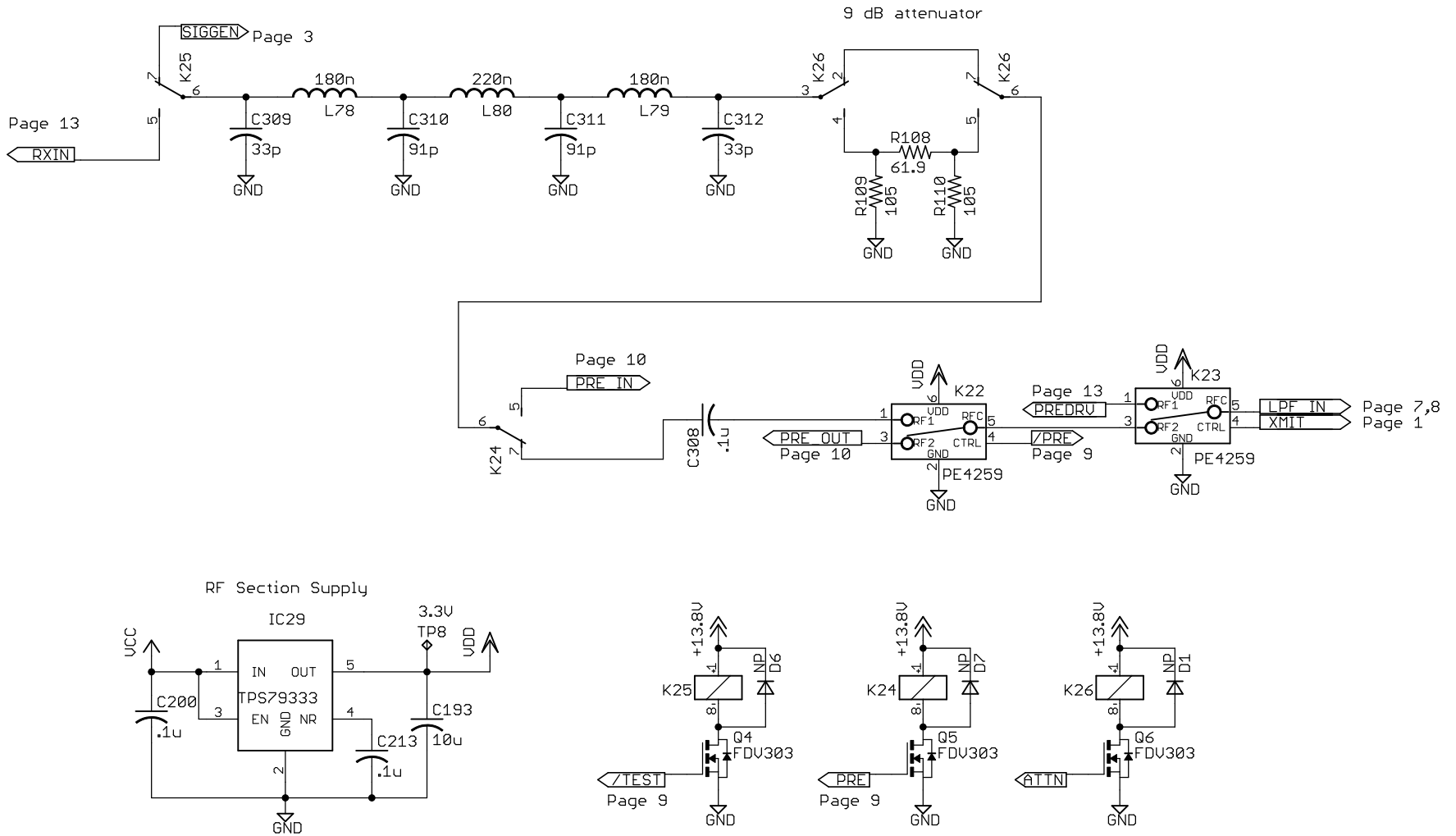
Copr. FlexRadio Systems 2009	
TITLE: NTRX PC-0035 Rev C2	
Document Number:	REV:
Date: 11/18/2009 11:49:55 AM	Sheet: 3/19



Copr. FlexRadio Systems 2009	
TITLE: NTRX PC-0035 Rev C2	
Document Number:	REV:
Date: 11/18/2009 11:49:55 AM	Sheet: 4/19



Copr. FlexRadio Systems 2009	
TITLE: NTRX PC-0035 Rev C2	
Document Number:	REV:
Date: 11/18/2009 11:49:55 AM	Sheet: 5/19



Copr. FlexRadio Systems 2009

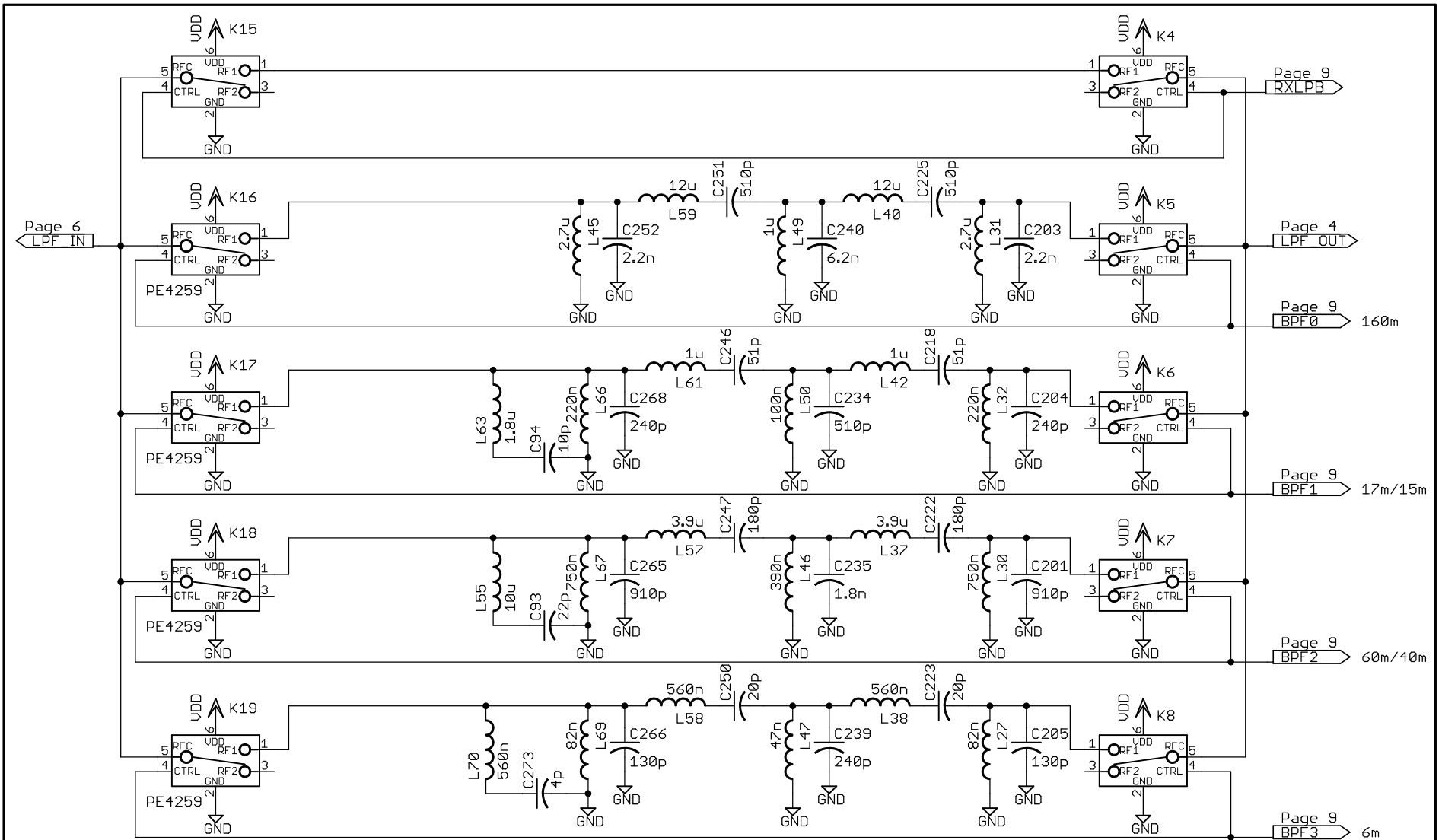
TITLE: NTRX PC-0035 Rev C2

Document Number:

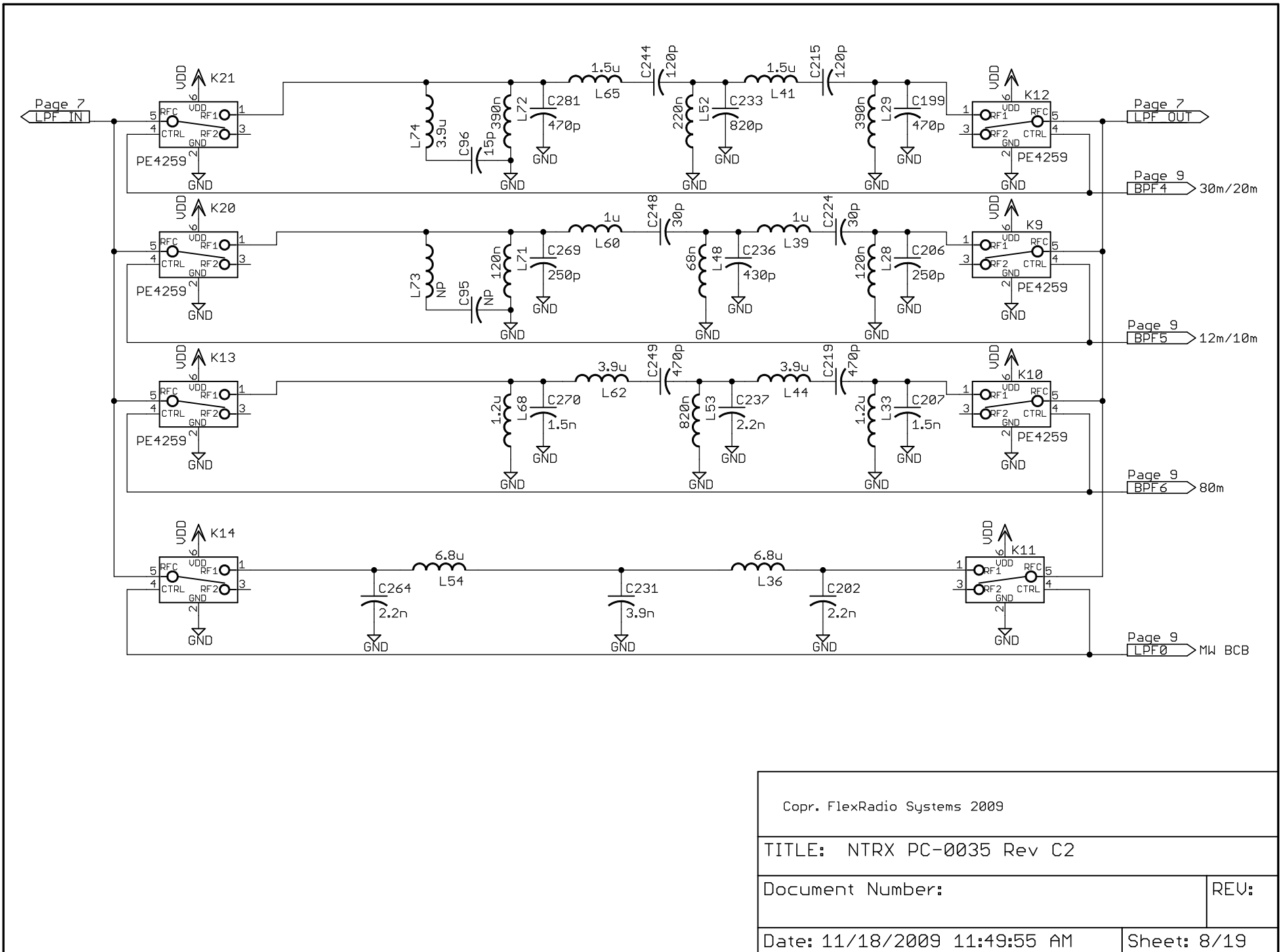
REV:

Date: 11/18/2009 11:49:55 AM

Sheet: 6/19



Copr. FlexRadio Systems 2009	
TITLE: NTRX PC-0035 Rev C2	
Document Number:	REV:
Date: 11/18/2009 11:49:55 AM	Sheet: 7/19



Copr. FlexRadio Systems 2009

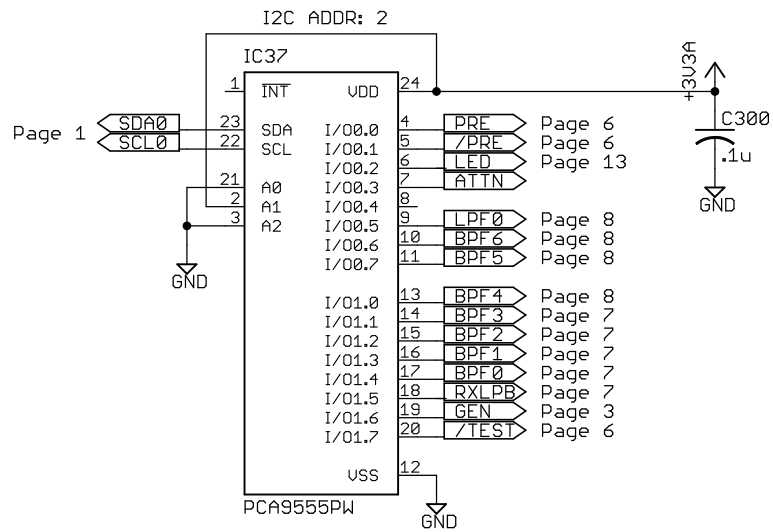
TITLE: NTRX PC-0035 Rev C2

Document Number:

REV:

Date: 11/18/2009 11:49:55 AM

Sheet: 8/19



Copr. FlexRadio Systems 2009

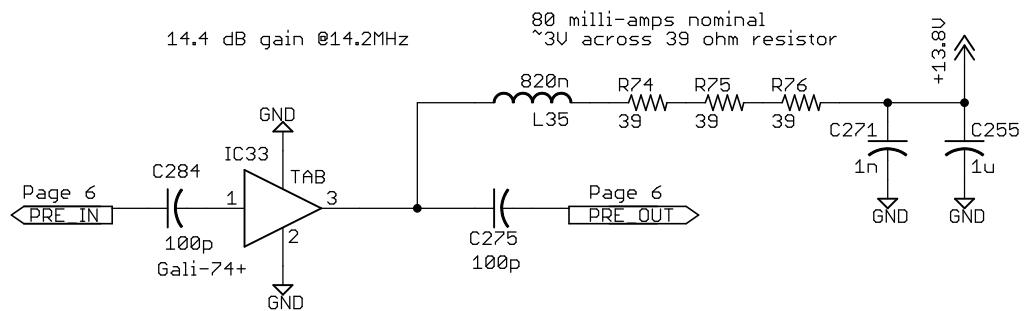
TITLE: NTRX PC-0035 Rev C2

Document Number:

REV:

Date: 11/18/2009 11:49:55 AM

Sheet: 9/19



Copr. FlexRadio Systems 2009

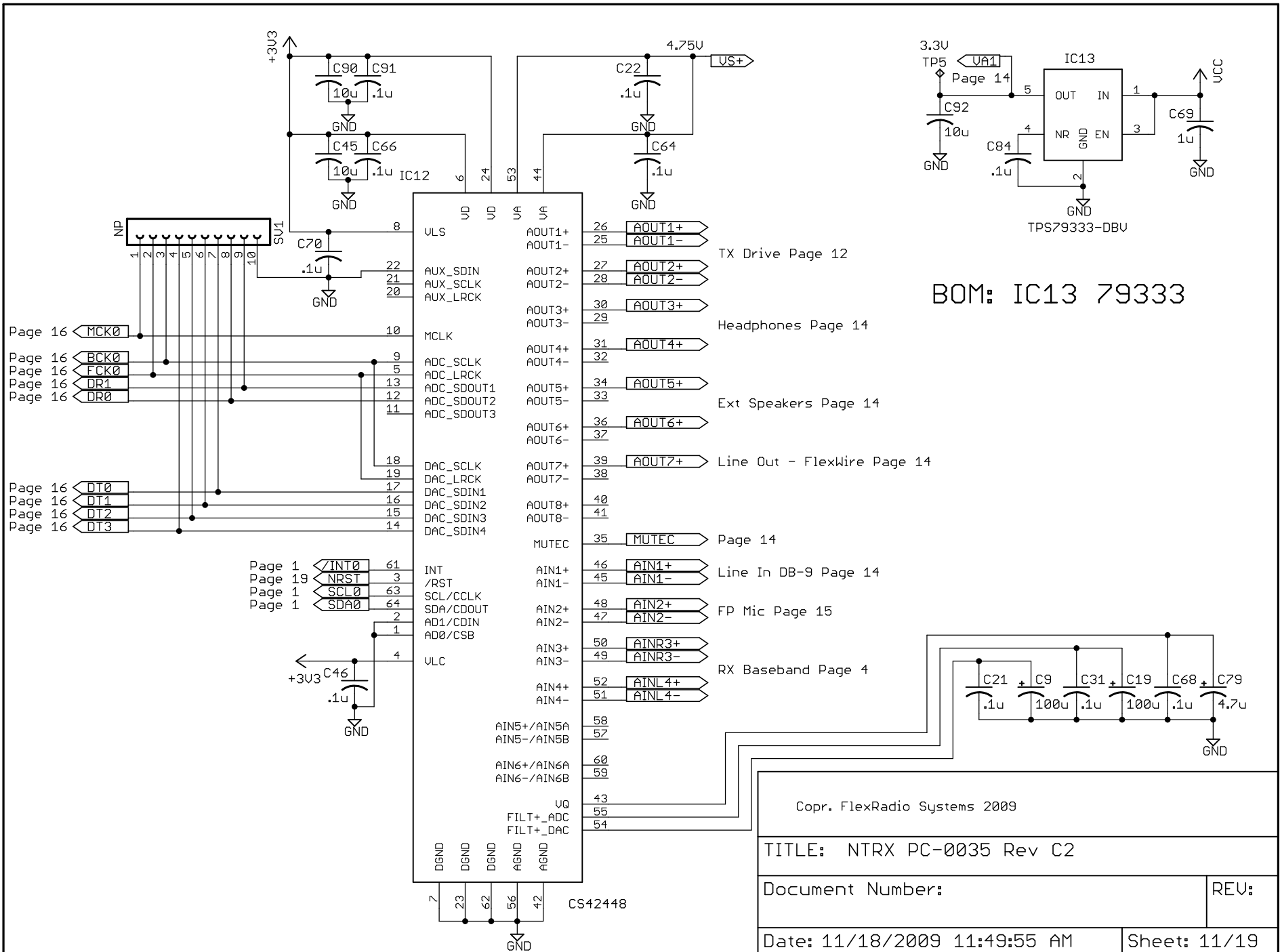
TITLE: NTRX PC-0035 Rev C2

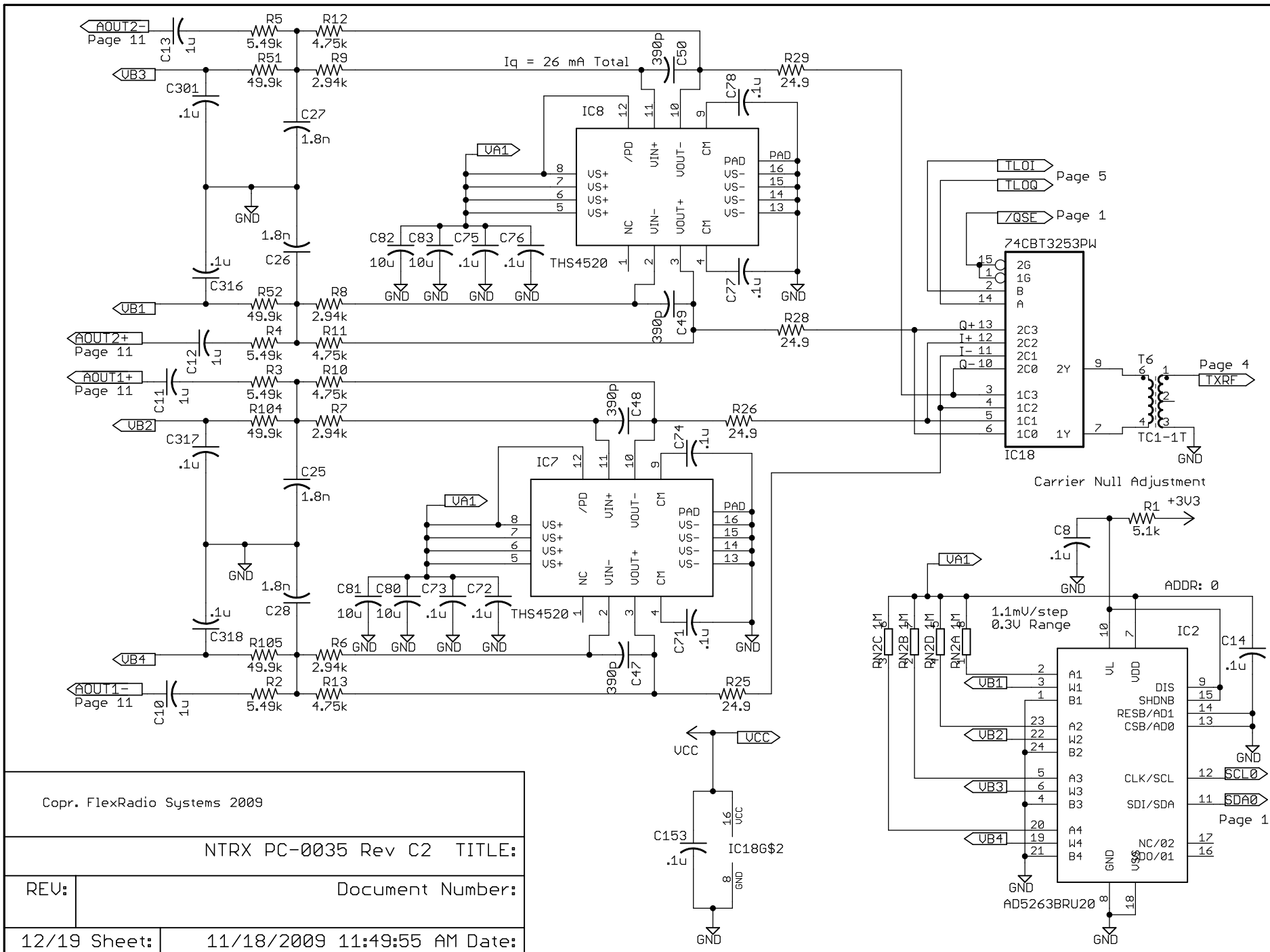
Document Number:

REV:

Date: 11/18/2009 11:49:55 AM

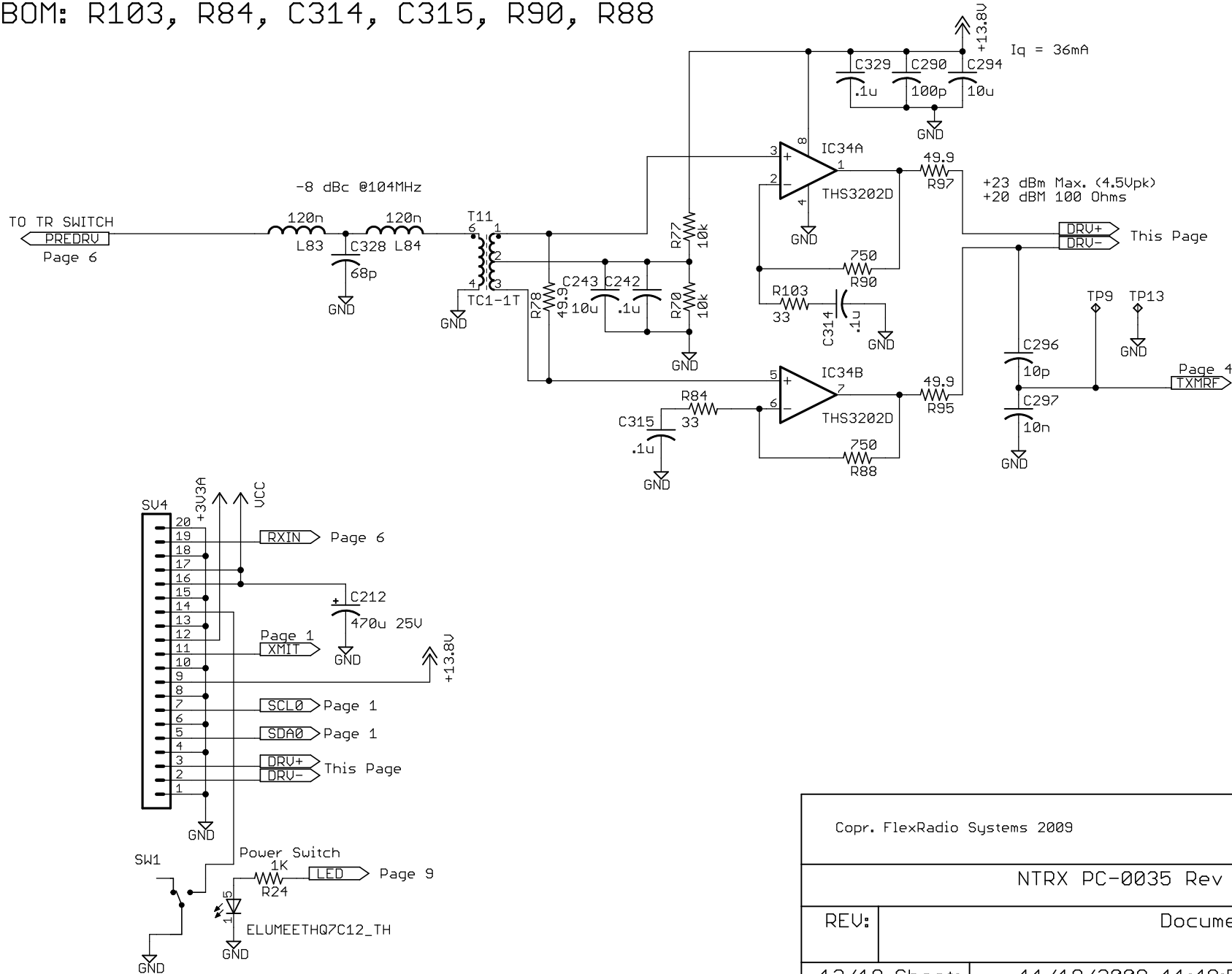
Sheet: 10/19





REMOVED C301
 BOM: R103, R84, C314, C315, R90, R88

Gain Pre Driver



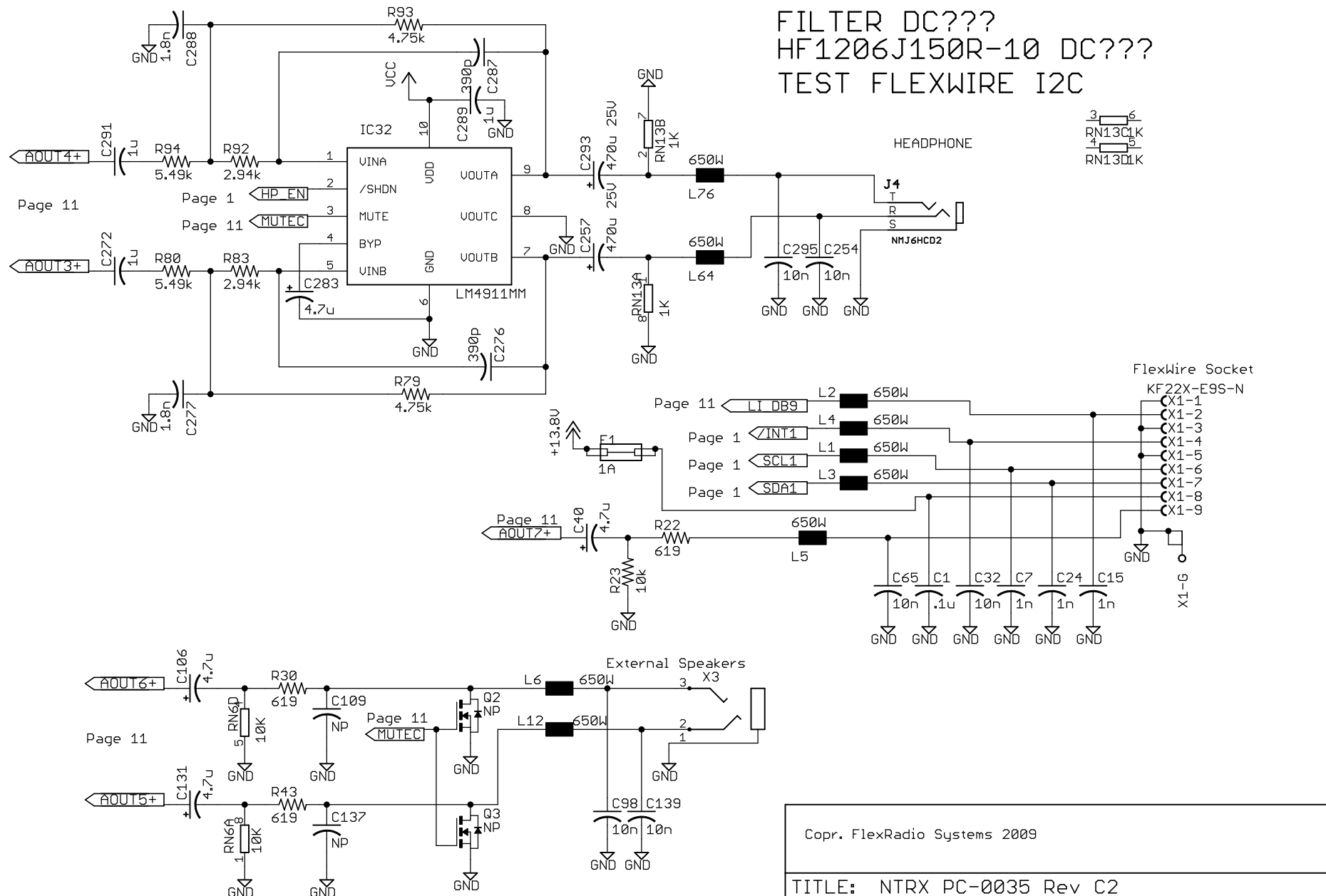
Copr. FlexRadio Systems 2009

NTRX PC-0035 Rev C2 TITLE:

REV: Document Number:

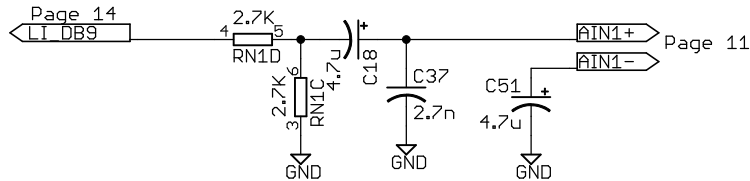
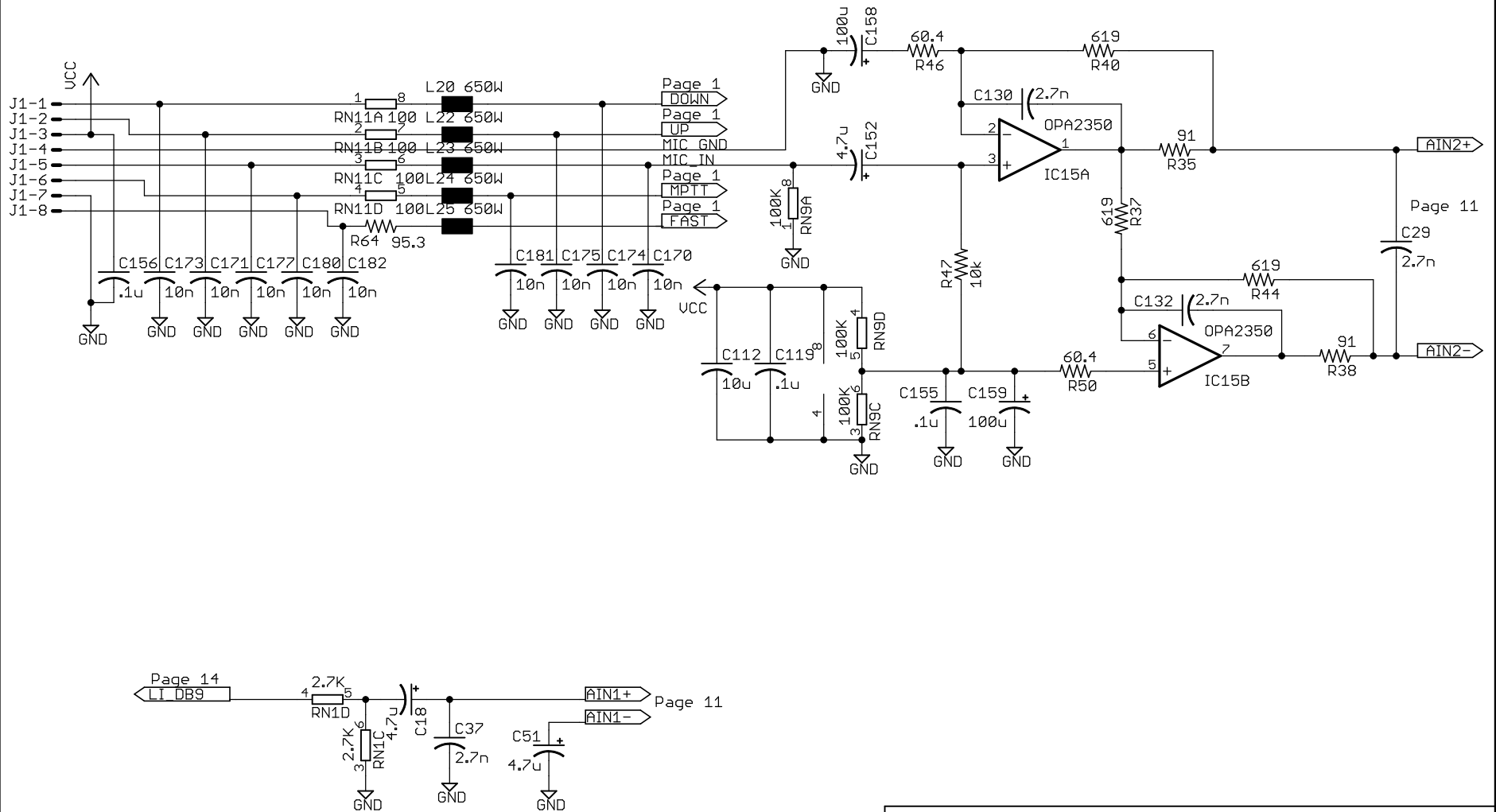
13/19 Sheet: 11/18/2009 11:49:55 AM Date:

FILTER DC???
 HF1206J150R-10 DC???
 TEST FLEXWIRE I2C

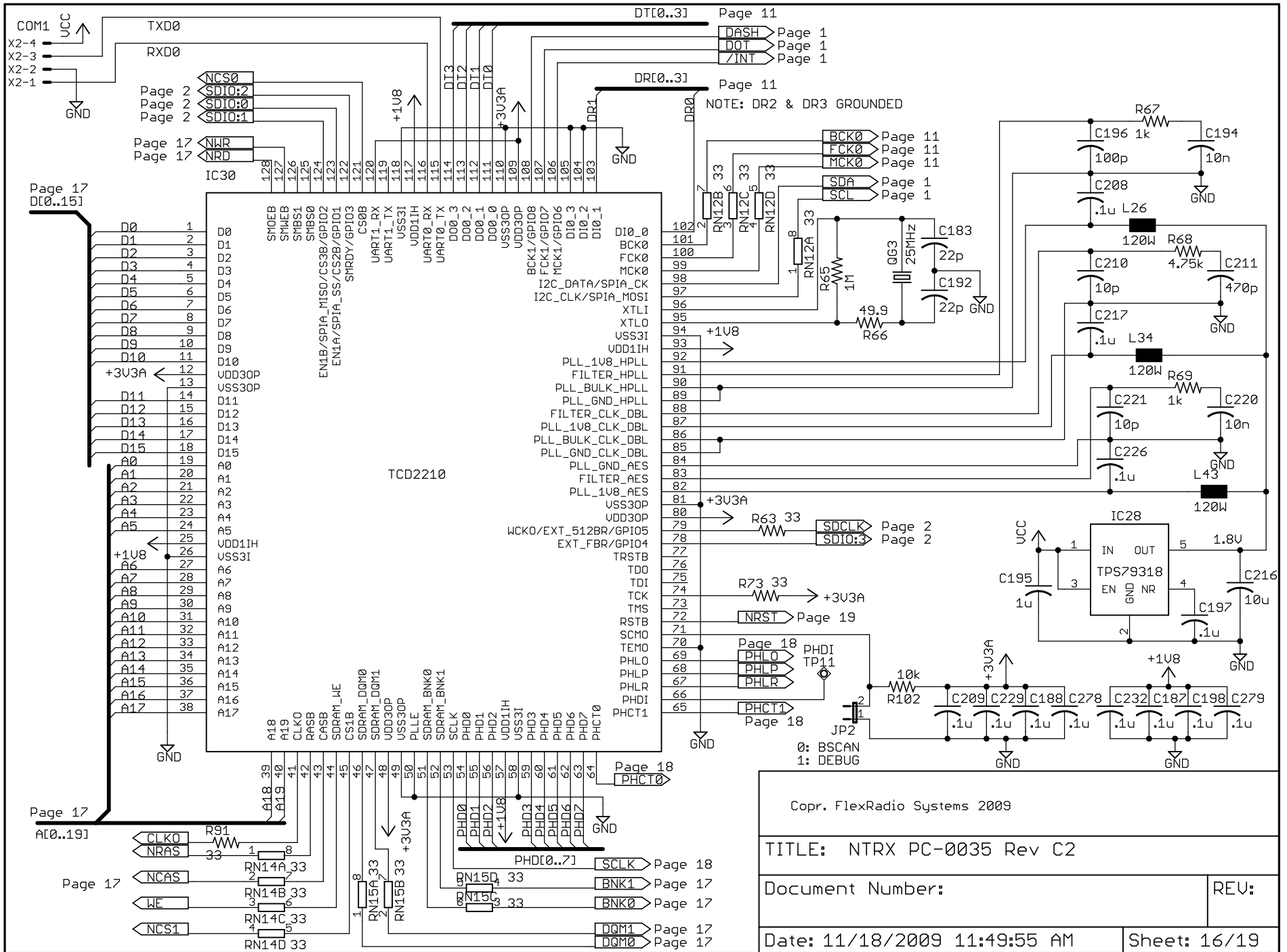


CHANGE BANDWIDTH OF AUDIO OUTPUTS

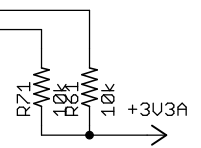
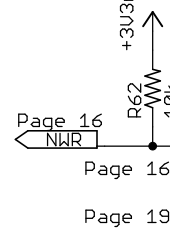
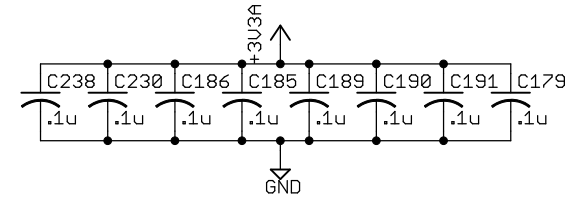
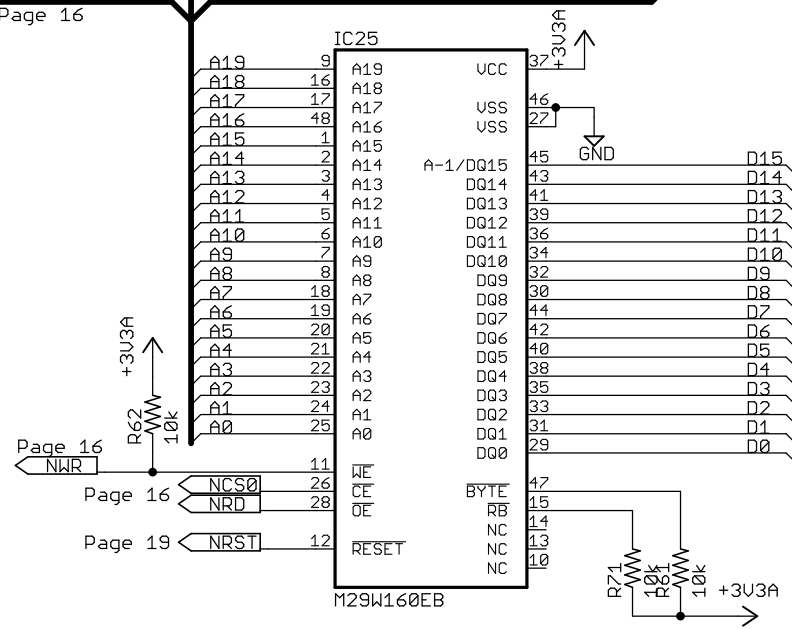
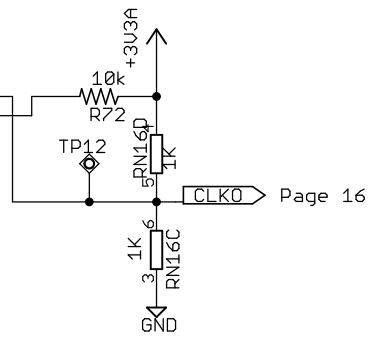
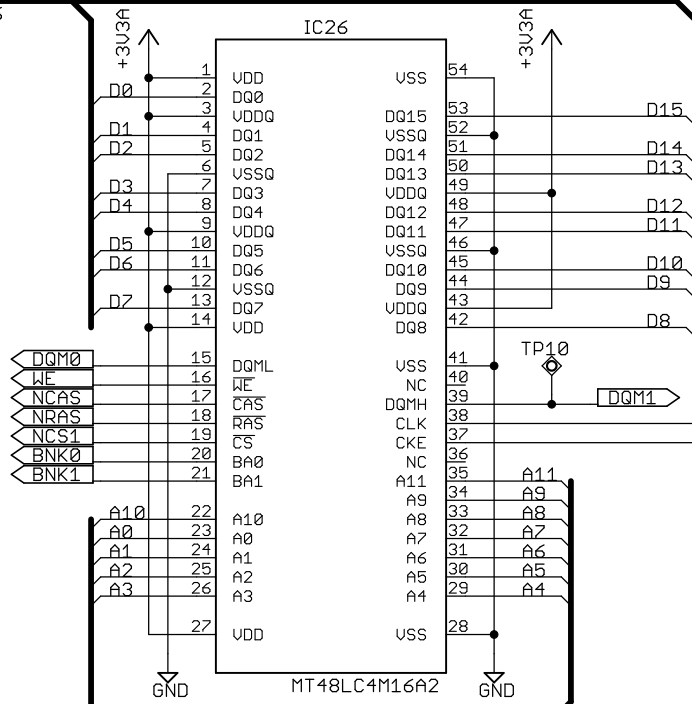
Copr. FlexRadio Systems 2009	
TITLE: NTRX PC-0035 Rev C2	
Document Number:	REV:
Date: 11/18/2009 11:49:55 AM	Sheet: 14/19



Copr. FlexRadio Systems 2009	
TITLE: NTRX PC-0035 Rev C2	
Document Number:	REV:
Date: 11/18/2009 11:49:55 AM	Sheet: 15/19



Copr. FlexRadio Systems 2009	
TITLE: NTRX PC-0035 Rev C2	
Document Number:	REV:
Date: 11/18/2009 11:49:55 AM	Sheet: 16/19



Copr. FlexRadio Systems 2009

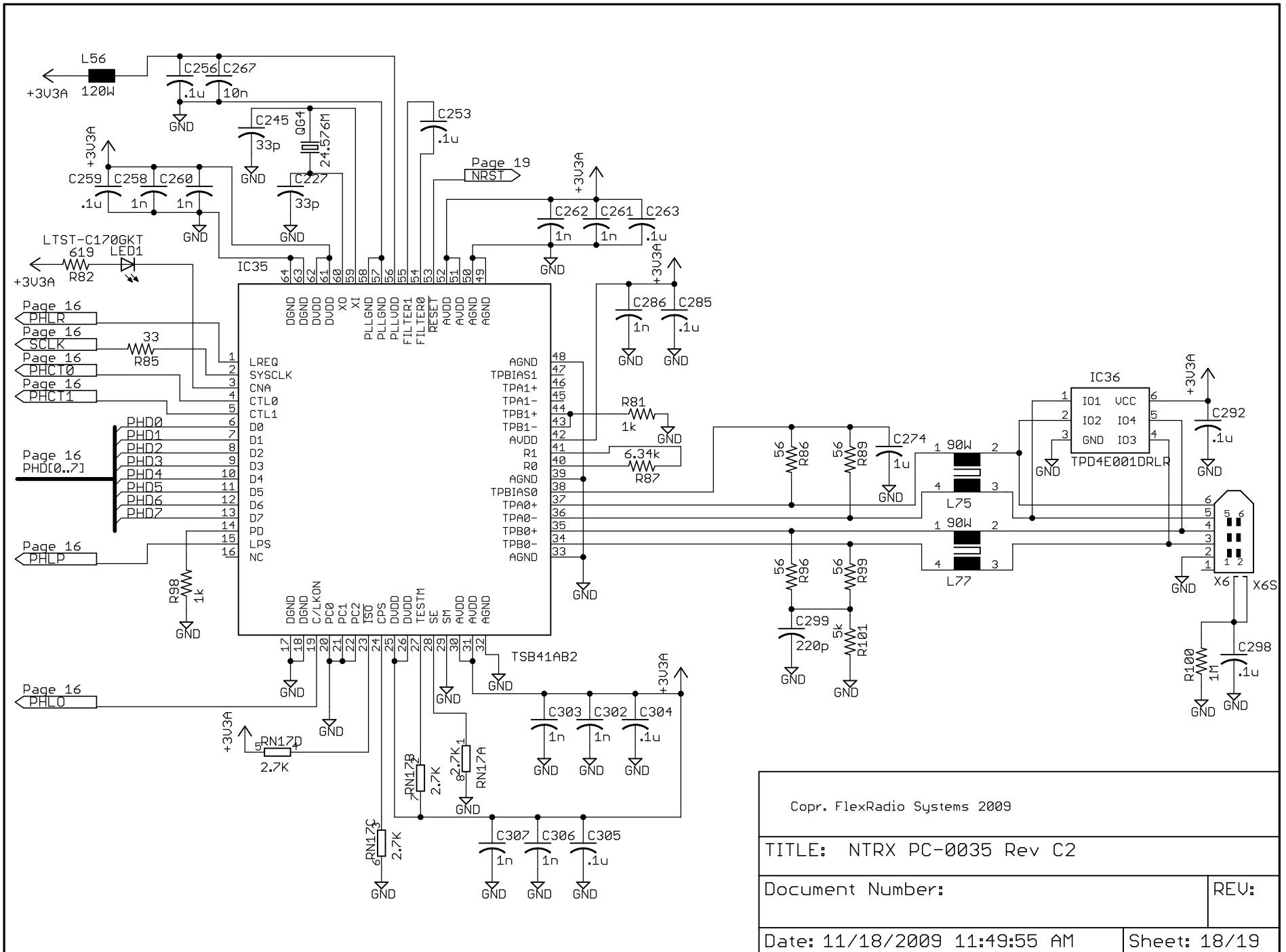
TITLE: NTRX PC-0035 Rev C2

Document Number:

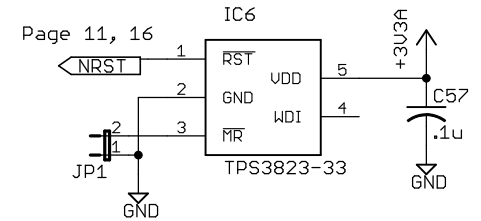
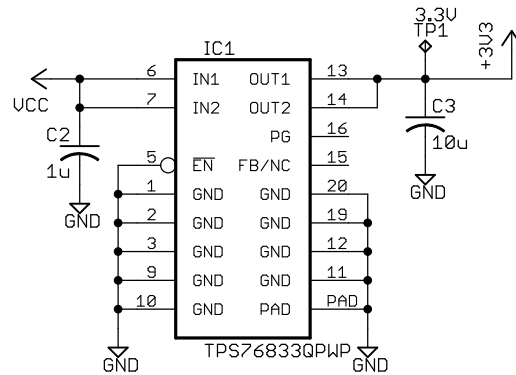
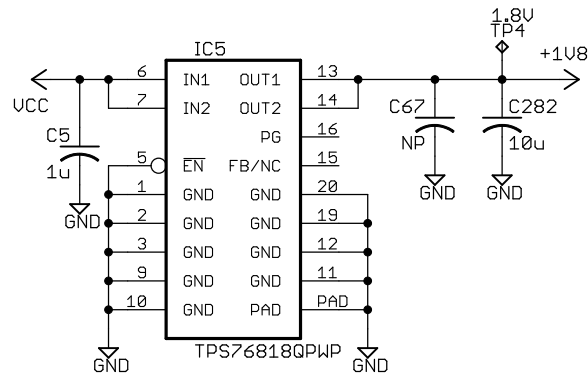
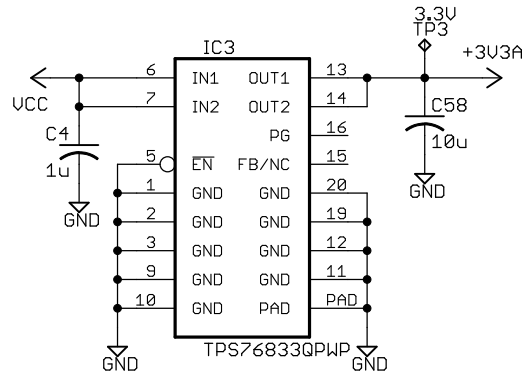
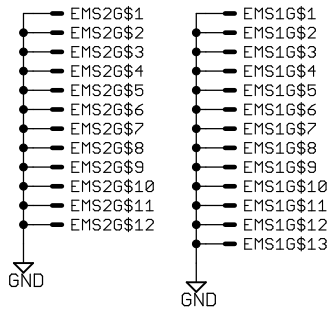
REV:

Date: 11/18/2009 11:49:55 AM

Sheet: 17/19



EMC SHIELDS



Copr. FlexRadio Systems 2009	
TITLE: NTRX PC-0035 Rev C2	
Document Number:	REV:
Date: 11/18/2009 11:49:55 AM	Sheet: 19/19